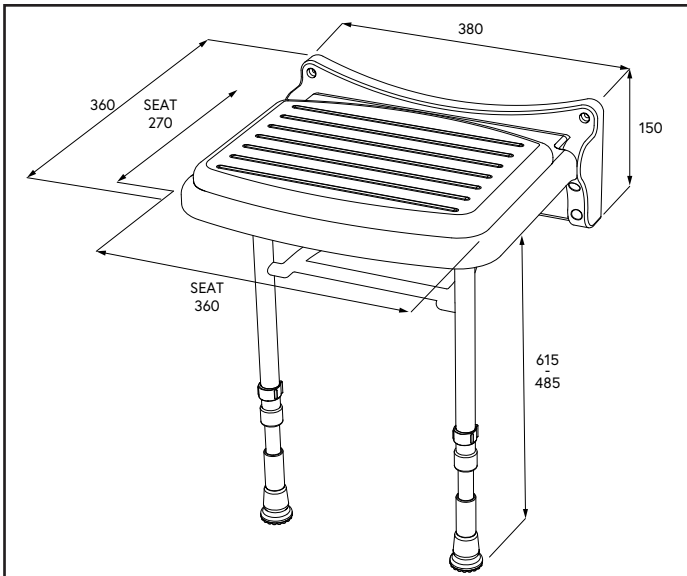


AP503122 WALL MOUNTED SHOWER CHAIR



GUARANTEE

Consumer statutory rights apply.

Meets performance requirements of service condition 3.

BS EN ISO 9221:2017 - Corrosion resistant (NSS 96hr Salt Spray, Min. Grade9).

BS EN 12182:2012 - Suitable for users up to 158kg when fitted to a solid wall. Tested to 237kg.

Tel: +44 (0) 1264 365881
Fax: +44 (0) 1264 356437
Email: info@croydex.co.uk
Web: www.croydex.com

Printed material, designs and packaging are protected by copyright and design right.

ILLUSTRATED

AP503122 Wall Mounted Shower Chair

CONFIGURATIONS

MATERIAL

Wall bracket and frame - Stainless Steel

Seat platform - Polypropylene

Seat cushion - PU foam

COLOURS

White - RAL 9003

MAXIMUM WORKING LOAD

150Kg

PACKAGING

Box with Label

FREQUENTLY USED APPLICATIONS

Commercial Washrooms

Hotels

Domestic Dwellings

Care Homes

FEATURES

Six position height adjustable seat (485 - 615mm).

Removable pad for cleaning.

Folds away when not in use.

Fixings not included.

CARE AND MAINTENANCE

Clean surfaces with a damp cloth and wipe dry using a soft cloth.

Do not use chemical or abrasive cleaners as these may damage the surface finish.